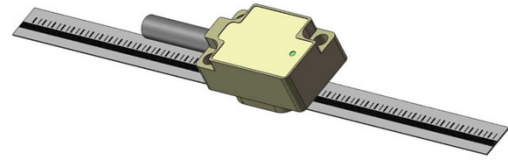
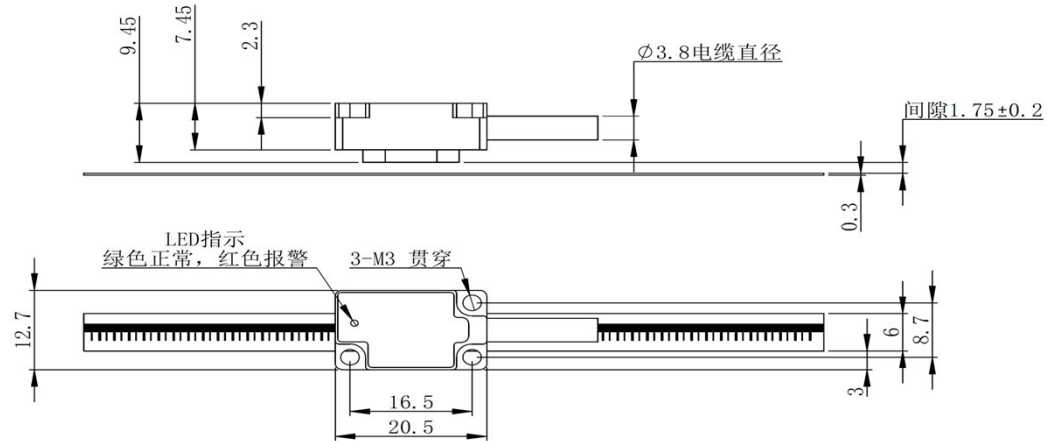


Non-contact, high reliability
 Absolute value output, no hysteresis
 Industrial standard interfaces: Biss or SSI
 Resolution: 29bit
 True absolute value, no battery required
 Integrated set-up LED
 Maximum length of linear encoder: 1000mm

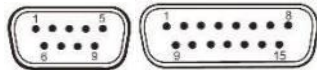


Dimension (Unit: mm)



Output definition

| BISS C | SSI | Color | DB9 | DB15 |
|--------|--------|--------|--------|--------|
| 5V | 5V | Red | 5 | 7 |
| GND | GND | Black | 9 | 2 |
| MA+ | CLK+ | White | 4 | 14 |
| MA- | CLK- | Grey | 8 | 6 |
| SL+ | DAT+ | Blue | 3 | 13 |
| SL- | DAT- | Purple | 7 | 5 |
| Shield | Shield | Sliver | Shield | Shield |



Order table:

| Feature | Order Code | Specification | Remarks |
|-----------------------|------------|---------------|---|
| Series | 20A | A | 20A Reader Head Work with OSM20A Scale |
| Resolution | 29 | B | 29Bit |
| | 22 | B | 22Bit |
| | 23 | B | 23Bit |
| Output Signals | B | C | BISS C |
| | S | C | SSI |
| Cable Length | 0.3 | D | 0.3 Meter Customizable, up to 10 meters |
| | 1 | D | 1.0 Meter |
| | 3 | D | 3.0 Meter |
| Connections | | | = Open cable ends |
| | D09 | E | D09 = Connection by 9 pin D-SUB |
| | D15 | E | D215 = Connection by 15 pin D-SUB |
| Scale Length | 20 | F | 20mm Customizable, Max 1000mm |
| | 200 | F | 200mm |
| | 1000 | F | 1000mm |

System data:

| Feature | Technical Data | Remarks |
|---|--|--------------|
| Measuring Principle | Absolute | |
| Operating Voltage | 5VDC±5% | |
| Current Consumption | <30mA | No-load |
| Output Signal | Biss C/ SSI | Optional |
| Resolution | 0.0125um | |
| Gap with Scale | 1.75±0.2mm | |
| Maximum Moving Speed | 5m/s | |
| Acceleration | 20G (55Hz to 2000HZ) | |
| Operating Temperature | -10~+ 80°C | |
| Storage Temperature | -30~+80°C | |
| Protection Class | IP67 | |
| Typical sub-divisional error (SDE) | ±50 nm | |
| Humidity | Operating 90% maximum relative humidity (non-condensing) | |
| Housing Material | Alloy | |
| Cable | 3.8* highly flexible cable | Max 10 meter |
| Connection Method | Open or DB9 connector | |

Order code:

