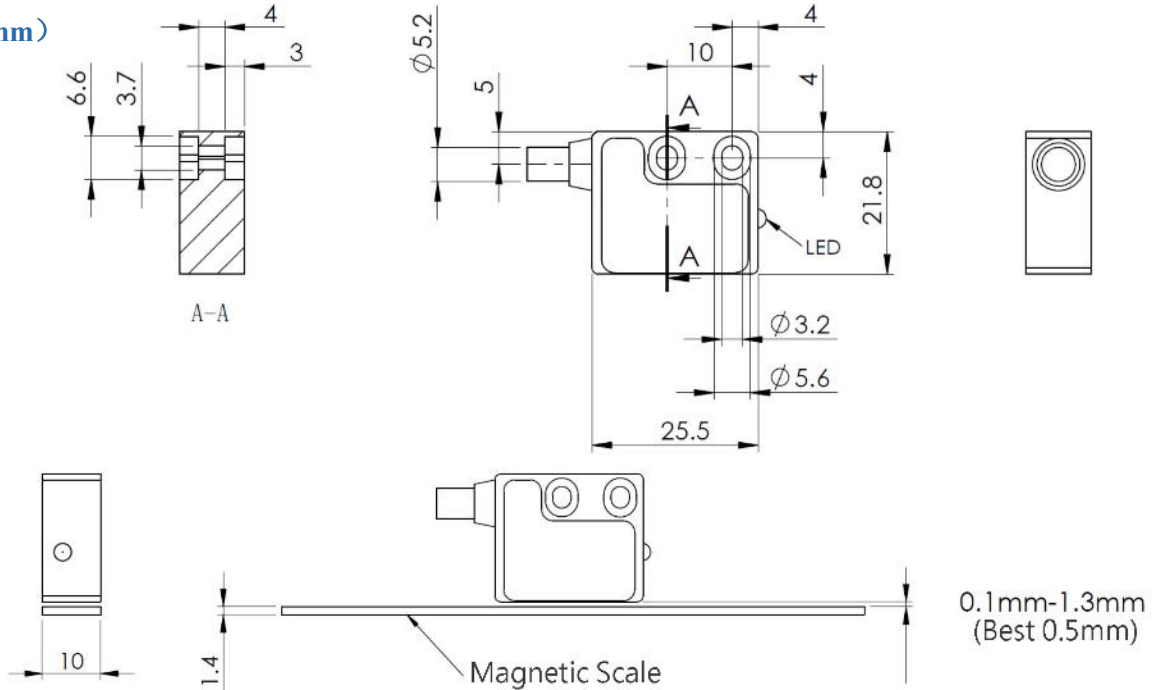


AGICO 安捷高 Magnetic Linear Encoder _ MRP20 (For Printer)

- High reliability non- contact sensing technology
- Special design to work with printer
- Resolution 150dpi to 720dpi
- Axis lengths of up to 50 m
- High speed operation
- Excellent dirt immunity
- Integral set-up LED



Dimension (Unit: mm)



System data:

Feature	Technical Data	Additional information
Scale embodiment	MT20	
Resolution	Max.0.1um	
System accuracy	$\pm (0.002+0.03 \times L)$ mm	L in m
Repeat accuracy	± 0.001 mm	
Sensor/band reading distance	0.1 – 1.3mm	Best 0.5mm
Travel speed	≤ 5 m/s	
Housing	Alloy	
Operating temperature	-10~+70°C	
Storage temperature	-30~+80°C	
Protection category	IP67	
Operating voltage	24VDC $\pm 20\%$	
Current consumption	Max.35mA	
Type of connection	Round connector	Cable length Max.10m
Output Signals	Increments A,B	Digital Signal
Output Circuit	LD	Line driver

Output definition:

Colour	Red	Black	White	Blue	Silver
Signal	5V	GND	A+	B+	Shell

Order table:

Feature	Order data	Specifications	Additional information
Resolution	C	150dpi	
	D	180dpi	
	E	300dpi	
	F	360dpi	
	G	600dpi	
	H	720dpi	
Cable length	1	1m	Standard
	4	4m	Max. 10m
Connections	C	= Open cable ends	
		D1 = Connection by 9 pin D-SUB	
		D3 = Connection by 8 pin round connector	

Order code: MRP20 - -
A B C