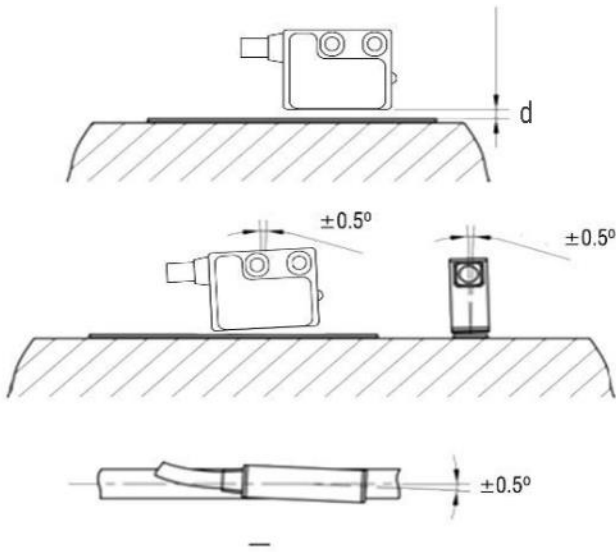
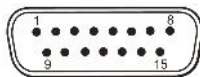
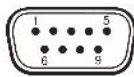


Installation (Unit: mm)



Output definition:

Signal	Colour	9-way D-type	15-way D-type
VCC	Red	5	7
GND	Black	9	2
A+	White	4	14
A-	Grey	8	6
B+	Blue	3	13
B-	Purple	7	5
Z+	Brown	2	12
Z-	Orange	6	4
PE	Screen	Shield	Shield



Travel Speed:

Resolution (mm)	Travel speed Vmax. (m/s)									
	0.02	0.03	0.03	0.03	0.06	0.13	0.25	0.47	0.63	1.14
0.0005	0.04	0.05	0.06	0.06	0.13	0.25	0.49	0.93	1.25	2.27
0.001	0.22	0.25	0.28	0.31	0.63	1.25	2.45	4.67	6.25	11.36
0.005	0.44	0.50	0.55	0.63	1.25	2.50	4.90	9.35	12.50	22.73
0.01	1.10	1.25	1.39	1.56	3.13	6.25	12.25	23.36	31.25	56.82
0.025	2.20	2.50	2.77	3.13	6.25	12.50	24.51	46.73	62.50	113.64
0.05	4.39	5.00	5.54	6.25	12.50	25.00	49.02	93.46	125.00	227.27
0.1	22.76	20.00	18.04	16.00	8.00	4.00	2.04	1.07	0.80	0.44
Pulse interval (μs)										
Counting Frequency (Hz)	10,984	12,500	13,858	15,625	31,250	62,500	122,549	233,645	312,500	568,182

Order table:

Feature	Order data	Specifications	Additional information	
Resolution	Y	0.0001mm		
	Z	0.0005mm		
	X	0.001mm	Standard	
	C	0.002mm		
	D	A	0.005mm	
	E		0.01mm	
	F		0.02mm	
	G		0.025mm	
	K		0.05mm	
Cable length	0.5	0.5m	Standard	
	1	B	1m	
	3		3m	Max. 10m
Connections	D2	C	= Open cable ends D2 = Connection by 9-way D-type connector	
	D15		D15 = Connection by 15-way D-type connector	

Order code:

MRS10/MR20/MRS20/MR50/MRS50 - -
A B C